

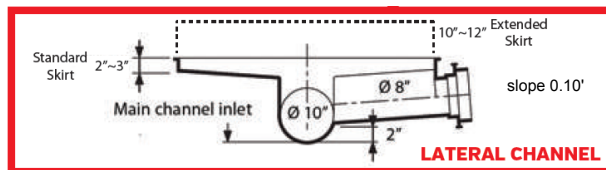
PREDL INC. ORDER SHEET NON-STANDARD BASELINER



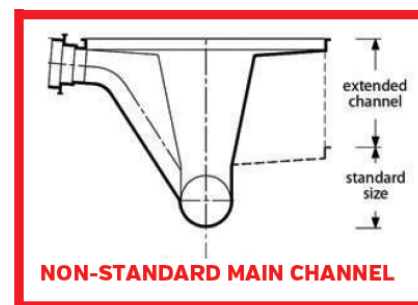
161 Don Westbrook Ave S, Jasper, GA

Precaster: _____ **PO#:** _____
Project: _____ **PREDL JOB#:** _____
Contractor: _____ **Diameter:** _____
Manhole #: _____ **Wall:** _____
Drawing Attached: _____
Base Configuration: _____

Standard Base liner



Non-Standard Base liner



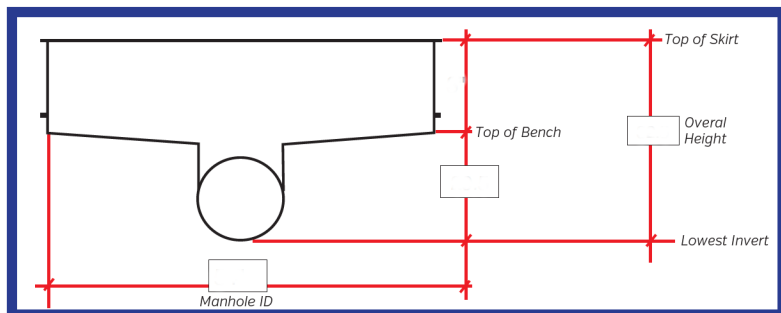
	Degree °	Diff. to Outlet°	Slope %	Type	Class	Size	Ch. Size"	Pipe OD	Pipe ID
Pipe Outlet									
Pipe Inlet									
1st Lat/Pipe									
2nd Lat/Pipe									
3rd Lat/Pipe									
4th Lat/Pipe									

Base liner height from main channel outlet:

Skirt: 3 10 12 Other
Transition Strip: Yes No Type: PP PE

Gasket Type: EPDM Other
Pouring Support: Yes No
Channel Support: Bench Support

Base Liner Dimension:



Notes:

Sheet #: _____ **Method/Company of Shipping:** _____
Order Date: _____ **Delivery Requested Date:** _____

Build Approval*

Name: _____ **Signature**:** _____ **Date:** _____

*PREDL requires customer sign off prior to production. Standard lead time is 4-6 weeks from date of receipt of signed document. Lead times can be shortened at extra charge.
 **By signing on this sheet, you confirm reviewing the above configuration to your request and accordingly you give the permission for PREDL to build the product to the above configuration and as per PREDL terms and conditions document.